

EHD IMAGING GMBH

UV-Camera

1.3 Megapixel sCMOS backilluminated UV Camera USB3.0

SCM9701-UV

EHD imaging GmbH
Zum Rennplatz 15
D-49401 Damme

Phone: +49-5491-2090
Fax: +49-5491-2098

e-mail: info@ehdimaging.de
www.ehd.de

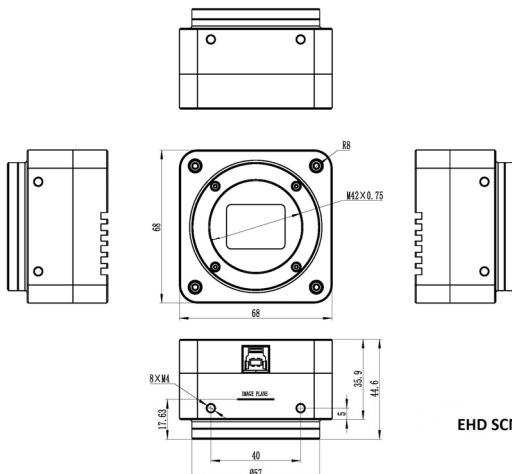
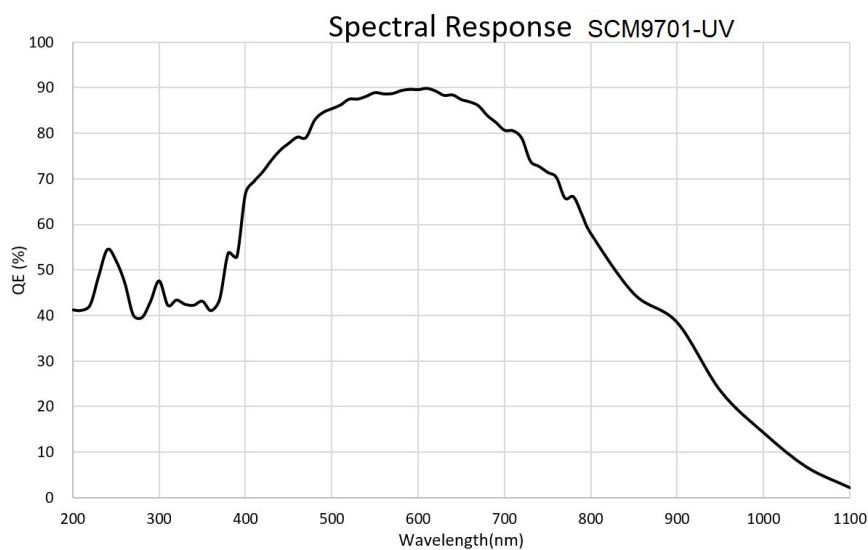


Key Features:

- 1,3MPixel
- GLUX9701BSI
- 200nm –1100nm
- 0.1ms—60s
- 30 fps
- USB3.0 (Windows 10)
- M42 and C-Mount
- EHDView Software
- Software SDK

Optional:

- F-Mount Adapter



EHD SCM2020UV

Optional bandpass filter:

- U340: 280-380nm (85nm)
- BP250: 230-275nm (70nm)
- BP324: 290-365nm (105nm)
- BP365: 335-400nm (80nm)

Specifications: SCM9701-UV

| | |
|----------------------------------|--------------------------------------|
| Image Sensor | 1" GLUX9701BSI back illuminated |
| Resolution | 1280 x 1024 |
| Pixel Size (H x V) μm | 9.76 x 9.76 |
| Active Sensor Size (H x V) mm | 12.49 x 9.99 |
| Full well | 50ke- |
| Dark current | 1.6e-/s/pix |
| A/D | 8bit / 16bit |
| Exposure Control | 0.1ms ~ 60s |
| Frame Rate | 30 fps |
| Conversation Gain | LCG / HGC / HDR |
| Lens Mount | M42 and C-Mount |
| Operation Temperatur | -10°C ~ 50°C |
| Power source | DC 5V USB port powered, 3.4W (680mA) |
| Dimensions (WxHxD) mm | 68 x 68 x 43.4 |
| Weight (without lens) | 400g |

F-Mount adapter optional available

