

EHD IMAGING GMBH

# UV-Camera

UV Camera USB2.0

## EHD-0920UV

EHD imaging GmbH  
Zum Rennplatz 15  
D-49401 Damme

Phone: +49-5491-2090  
Fax: +49-5491-2098

e-mail: [info@ehdimaging.de](mailto:info@ehdimaging.de)  
[www.ehd.de](http://www.ehd.de)



### Key Features:

- 1280x720 Pixel
- SiOnyx XQE-0920 Sensor
- 200nm –1200nm
- 40 fps
- Trigger in optional
- USB2.0
- Software SDK
- Application-Software

### Optional:

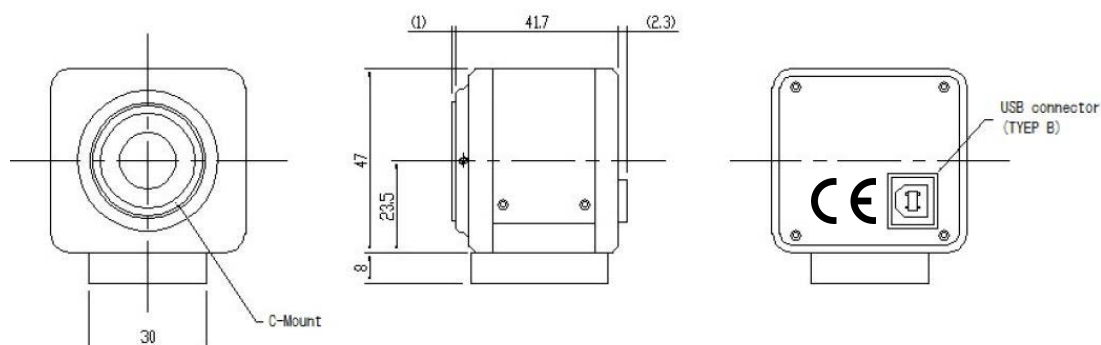
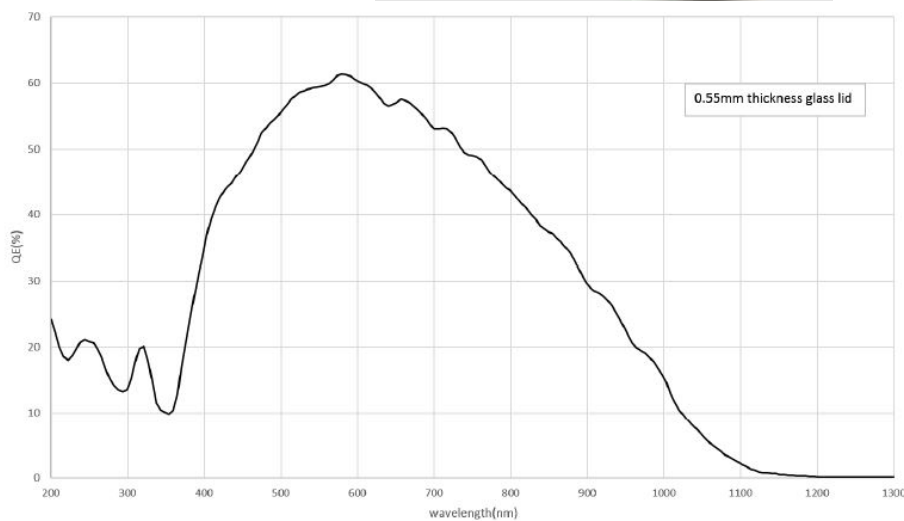
- Recording Software
- Measurement Software
- UV-Lenses
- Bandpass Filter

U340: 280-380nm (85nm)

BP250: 230-275nm (70nm)

BP324: 290-365nm (105nm)

BP365: 335-400nm (80nm)



## Specifications: EHD-0920UV

<b>Image Sensor</b>	1/2" SiOnyx black silicon
<b>Resolution</b>	1280 x 720
<b>Pixel Size (H x V) <math>\mu\text{m}</math></b>	5.6 x 5.6
<b>Active Sensor Size (H x V) mm</b>	7.12 x 4.03
<b>Full Well</b>	24ke-
<b>Read Noise</b>	<2.2e- RMS
<b>A/D</b>	12bit
<b>Shutter Speed</b>	1/33898—0.967s
<b>Frame Rate</b>	40fps
<b>External Trigger (optional)</b>	Input
<b>Lens Mount</b>	C-Mount
<b>Operation Temperatur</b>	0°C ~ 35°C
<b>Power Source</b>	DC12V
<b>Power Consumption</b>	<2.5W
<b>Dimensions (WxHxD) mm</b>	50 x 47 x 42
<b>Weight (without lens)</b>	110g