

EHD H1-SW 1" SWIR Lenses



EHD-H1-SW Series

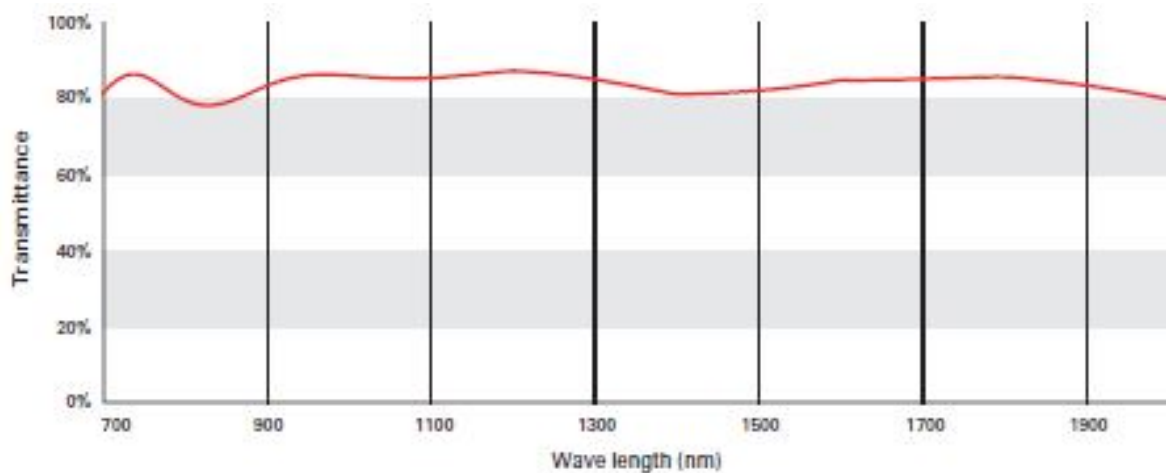
High transmittance from 700 – 2000nm

Features

- **Designed for NIR/SWIR**
- **1" Sensor format support**
- **High transmittance from 700nm to 2000nm**
- **Megapixel Resolution**

| Model | Focal length | F No. | MOD (mm) | Max sensor |
|-------------|--------------|--------|----------|------------|
| EHD0618H1SW | 6 | 1.8-16 | 100 | 1" |
| EHD0814H1SW | 8 | 1.4-16 | 100 | 1" |
| EHD1214H1SW | 12 | 1.4-16 | 300 | 1" |
| EHD1614H1SW | 16 | 1.4-16 | 300 | 1" |
| EHD2514H1SW | 25 | 1.4-16 | 300 | 1" |
| EHD3514H1SW | 35 | 1.4-16 | 300 | 1" |
| EHD5018H1SW | 50 | 1.8-16 | 500 | 1" |

Transmission



Technical Data

| Modell | EHD0618H1SW |
|------------------------|----------------------------------|
| Focal Length (f) | 6mm |
| Maximum Aperture Ratio | 1:1.8 |
| Aperture | F 1.8 – 16 |
| Angle of View (1") | 87.3° x 87.3° (Diagonal: 107.0°) |
| M.O.D. | 100mm |
| TV Distortion (1") | -0.61% |
| Operation | Manual (lock screw M2) |
| Wavelength | Short Wave IR |
| Mount | C-Mount |
| Flange Back | 17.526mm |
| Sensor Size (max.) | 1" |
| Filter Thread | no |
| Weight (approx.) | 205g |
| Dimension | Ø64.5 (max.) x l=57.2mm |

| Modell | EHD0814H1SW |
|------------------------|---------------------------------|
| Focal Length (f) | 8mm |
| Maximum Aperture Ratio | 1:1.4 |
| Aperture | F 1.4 – 16 |
| Angle of View (1") | 71.8° x 71.8° (Diagonal: 91.8°) |
| M.O.D. | 100mm |
| TV Distortion (1") | -0.54% |
| Operation | Manual (lock screw M2) |
| Wavelength | Short Wave IR |
| Mount | C-Mount |
| Flange Back | 17.526mm |
| Sensor Size (max.) | 1" |
| Filter Thread | M55 x 0.5 |
| Weight (approx.) | 175g |
| Dimension | Ø57.0 (max.) x l=59.0mm |

| Modell | EHD1214H1SW |
|------------------------|---------------------------------|
| Focal Length (f) | 12mm |
| Maximum Aperture Ratio | 1:1.4 |
| Aperture | F 1.4 – 16 |
| Angle of View (1") | 50.8° x 50.8° (Diagonal: 68.2°) |
| M.O.D. | 300mm |
| TV Distortion (1") | -0.32% |
| Operation | Manual (lock screw M2) |
| Wavelength | Short Wave IR |
| Mount | C-Mount |
| Flange Back | 17.526mm |
| Sensor Size (max.) | 1" |
| Filter Thread | M35.5 x 0.5 |
| Weight (approx.) | 130g |
| Dimension | Ø38.0 (max.) x l=48.0mm |

| Modell | EHD1614H1SW |
|------------------------|---------------------------------|
| Focal Length (f) | 16mm |
| Maximum Aperture Ratio | 1:1.4 |
| Aperture | F 1.4 – 16 |
| Angle of View (1") | 38.6° x 38.6° (Diagonal: 53.5°) |
| M.O.D. | 300mm |
| TV Distortion (1") | -0.65% |
| Operation | Manual (lock screw M2) |
| Wavelength | Short Wave IR |
| Mount | C-Mount |
| Flange Back | 17.526mm |
| Sensor Size (max.) | 1" |
| Filter Thread | M30.5 x 0.5 |
| Weight (approx.) | 120g |
| Dimension | Ø38.0 (max.) x l=45.0mm |

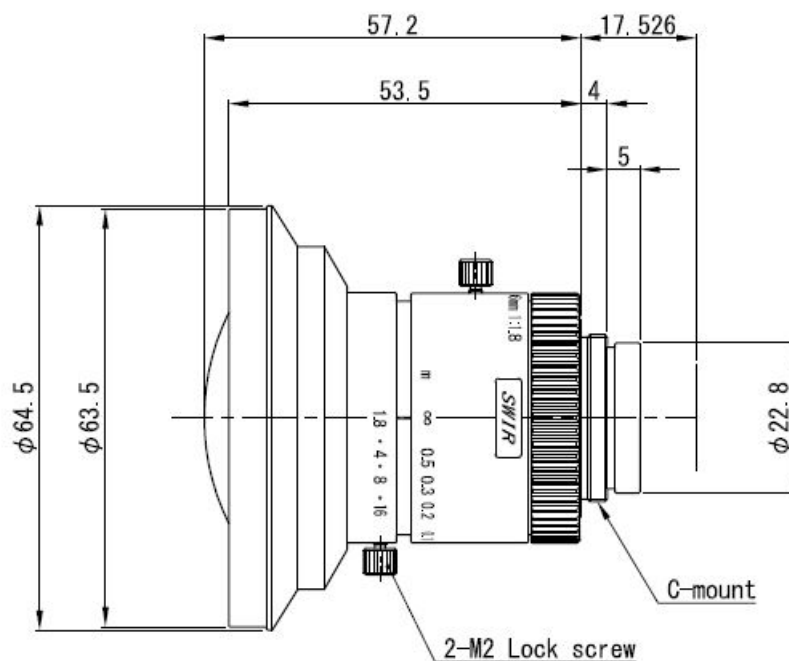
| Modell | EHD2514H1SW |
|------------------------|---------------------------------|
| Focal Length (f) | 25mm |
| Maximum Aperture Ratio | 1:1.4 |
| Aperture | F 1.4 – 16 |
| Angle of View (1") | 25.1° x 25.1° (Diagonal: 35.4°) |
| M.O.D. | 300mm |
| TV Distortion (1") | -0.46% |
| Operation | Manual (lock screw M2) |
| Wavelength | Short Wave IR |
| Mount | C-Mount |
| Flange Back | 17.526mm |
| Sensor Size (max.) | 1" |
| Filter Thread | M30.5 x 0.5 |
| Weight (approx.) | 84g |
| Dimension | Ø38.0 (max.) x l=33.5mm |

| Modell | EHD3514H1SW |
|------------------------|---------------------------------|
| Focal Length (f) | 35mm |
| Maximum Aperture Ratio | 1:1.4 |
| Aperture | F 1.4 – 16 |
| Angle of View (1") | 18.3° x 18.3° (Diagonal: 25.8°) |
| M.O.D. | 300mm |
| TV Distortion (1") | -0.31% |
| Operation | Manual (lock screw M2) |
| Wavelength | Short Wave IR |
| Mount | C-Mount |
| Flange Back | 17.526mm |
| Sensor Size (max.) | 1" |
| Filter Thread | M30.5 x 0.5 |
| Weight (approx.) | 92g |
| Dimension | Ø38.0 (max.) x l=35.0mm |

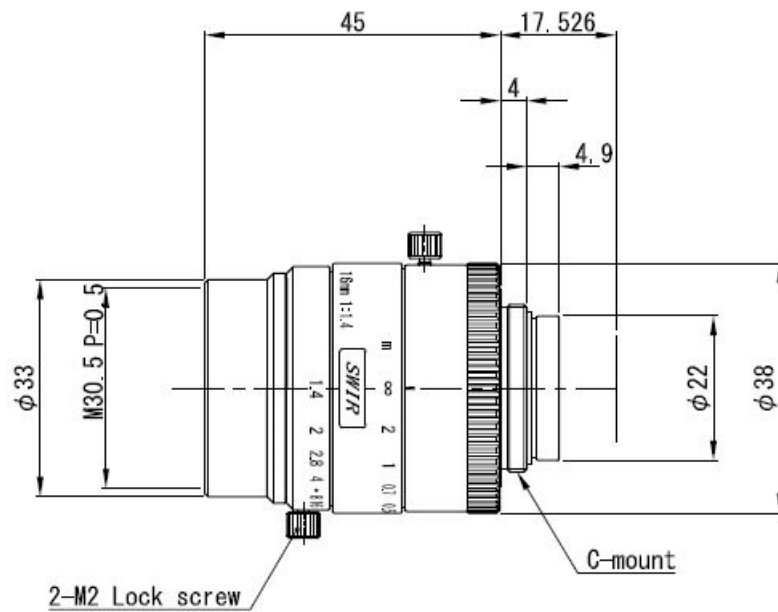
| Modell | EHD5018H1SW |
|------------------------|---------------------------------|
| Focal Length (f) | 50mm |
| Maximum Aperture Ratio | 1:1.8 |
| Aperture | F 1.8 – 16 |
| Angle of View (1") | 12.8° x 12.8° (Diagonal: 18.1°) |
| M.O.D. | 500mm |
| TV Distortion (1") | -0.01% |
| Operation | Manual (lock screw M2) |
| Wavelength | Short Wave IR |
| Mount | C-Mount |
| Flange Back | 17.526mm |
| Sensor Size (max.) | 1" |
| Filter Thread | M40.5 x 0.5 |
| Weight (approx.) | 128g |
| Dimension | Ø44.0 (max.) x l=44.5mm |

Dimensions

EHD0814H1SW



EHD1614H1SW



EHD2515H1SW

