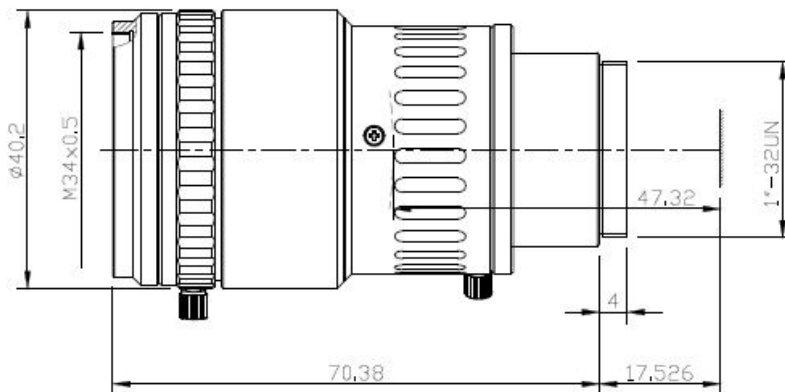


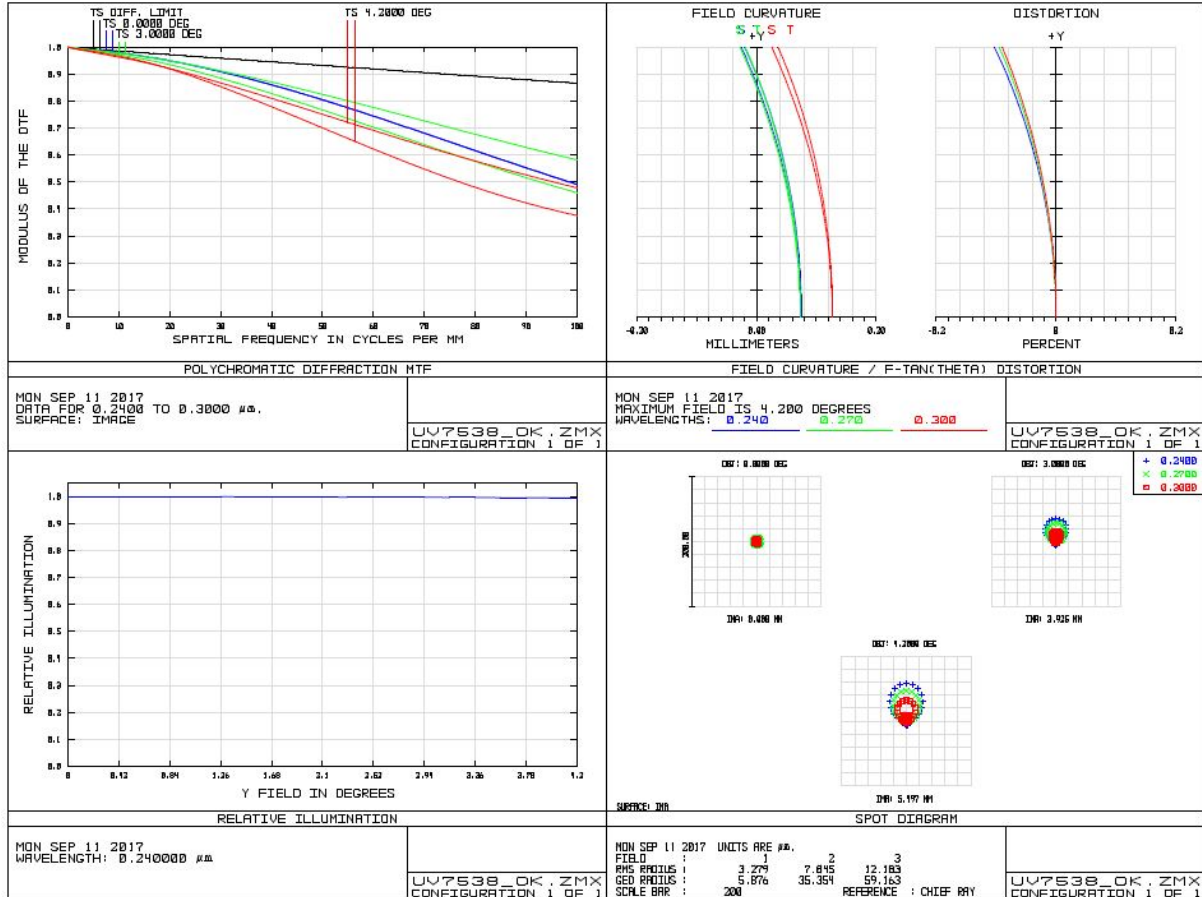
EHD-AZ7538UV, 2/3" UV Lens

No.	Name	Specification	No.	Name	Specification
1	Model	EHD-AZ7538UV	14	F.o.V. 2/3"	D8.36, H6.7, V5.06
2	Code	3.A01.010753801	15	Mount	C
3	Format	2/3"	16	Working Distance	0.5m – inf.
4	Resolution	2MP	17	Optimum WD	Infinity
5	Focal Length	75mm	18	Coating	200nm – 1000nm
6	Back Focus	47.32mm	19	Dimension	D=40.2mm, l=70.38mm
7	F No.	3.8	20	Weight	114g
8	Iris Type	Manual	21	Operating Temp.	-20°C to +65°C
9	Distortion	< -0.1%	22	Lens Construction	6-6
10	Lens eff. Diam.	F 22.18mm, B 14.96mm	23	CRA	5.06°
11	Relative Illumin.	99%	24	Filter Thread	M34 x 0.5
12	TTL	84.82			
13	Wavelength	200 – 1000nm			

Dimensions



Optical Design Report



Produkt Image

